



CHEMICAL SUPPORT SYSTEMS

DESIGN / ENGINEER / MANUFACTURE / INSTALL

Chemical Dosing Tanks

500 and 1000Lt

Our range of one piece MDPE moulded tanks are manufactured from UV resistant foodgrade polyethylene and are suitable for use with a wide range of chemicals. Each tank has a reinforced top surface for supporting electrical mixing equipment. A Black screw lid and graduated scale are moulded into tank.

Please note that these tanks are designed to operate under atmospheric pressure only, please consider installing a suitably sized vent and overflow when installing furniture on the tanks.

Tanks are supplied in natural polyethylene as standard. (black available at 8% surcharge)

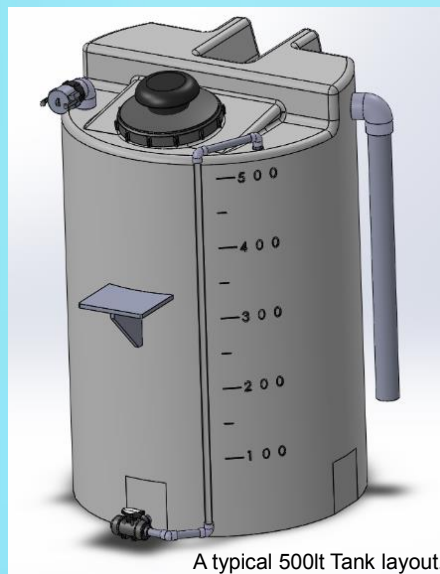
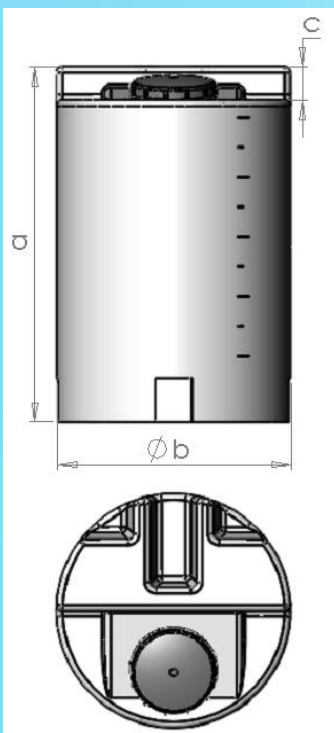
Key features:

- Good chemical resistance – Suitable for a range of industries
- Rotationally moulded – no seams
- Constructed from MDPE
- Availability – Ex stock

Specification

Construction	Rotationally moulded, vertical cylinder, flat base and stepped top
Tank Volumes (Lt)	500, 1000
Material	UV Stabilised MDPE
Specific Gravity	500lt - 1.9 1000lt - 1.5 (max)
Vessel Operating Temperature	20°C (ambient)
Vessel Design Temperature	20°C (ambient)
Vessel Operating Pressure	Atmospheric
Tank Design Life	10 years
Vessel Safety factor	2

CSS Ref.	Tank	a	b	c
DT5	500	1200	794	120
DT10	1000	1500	1000	120



A typical 500lt Tank layout.